



PISTON ACCUMULATOR HPA

TYPE CODE

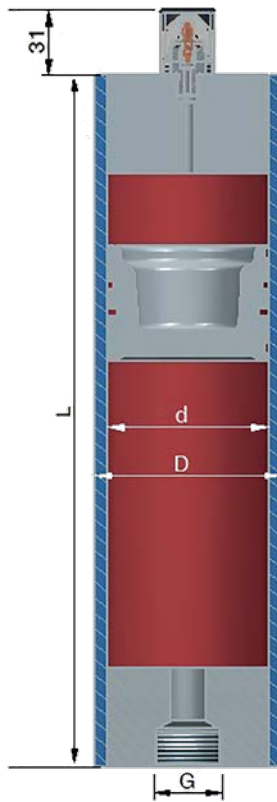
HYDRAULIC PISTON ACCUMULATOR HPA		HPA C - 250 - 100 - 010 - AR - 00 - 01 - ST - 10 - N
Material		
Carbon steel	C	
Max. operating pressure [bar]		
220 / 250 / 280 / 350 / 375 / 415 / 500		
Piston diameter [mm]		
50, 80, 100, 125, 140, 150, 160, 180, 200, 250, 310, 360		
Volume		
0.1 ... 250 [litres] larger on request		
Fluid connection		
Type		
Size		
(See table) e.g. AR = G1"		
Gas-side connection		
00 = none		
(See size chart) e.g. EN = NPT ½"		
Gas valve		
none	00	
Minimes 1620 M16x2	01	
Integr. gas valve, IG ¾" (standard from 60L)	05	
Others on request	Z	
Sealing system		
Standard	ST	
Low temperature	TT	
Special	Z	
Coating (paint)		
none	00	
PU paint, black RAL9017 (up to 50L standard)	10	
Primer, beige (standard for > 50L)	20	
Others on request	Z	
Options		
No option	N	
Article description	Y	

CONNECTION TABLE FOR FLUID AND GAS SIDE

	TYPE	K	L	M	N	P	R	S	T	U	V	W
Thread ISO 228-1 (G)	A	G ½"	G ¼"	G ¾"	G ½"	G ¾"	G 1"	G 1¼"	G 1½"	G 2"	G 2½"	G 3"
Thread ISO 6149-1 (M)	B	M10x1	M12x1.5	M14x1.5	M18x1.5	M22x1.5	M27x2	M33x2	M42x2	M18x2	-	-
SAE flange ISO 6162-1 3000 psi	C	½"	¾"	1"	1¼"	1½"	2"	2½"	3"	-	-	-
SAE flange ISO 6162-2 6000 psi	D	½"	¾"	1"	1¼"	1½"	2"	2½"	3"	-	-	-
NPT	E	⅛"	¼"	⅜"	½"	¾"	1"	1¼"	1½"	-	-	-
Autoclave	F	-	¼"	⅜"	-	-	-	-	-	-	-	-

PISTON ACCUMULATOR HPA

HPAC SERIES, VOL. UP TO 50 L, STANDARD 250 BAR, CARBON STEEL



TECHNICAL DATA

Piston diameter
80 / 125 / 180 / 200 mm

VOLUME
0.4–50 litres

APPROVAL
DGRL 2014/68/EU

MAX. PERMISSIBLE PRESSURE (PS)
250 bar

PERMISSIBLE TEMPERATURES (TS)
-25°C ... +100°C

COATING
Black PU paint (RAL9017), corrosion protection C3h - ISO 12944-2

Other versions on request

MATERIALS

Body and components made of carbon steel

GAS VALVE

Standard valve HGV M16x2, others possible on request.

Safety valves and/or blocks according to PED on request

CONNECTIONS

BSP acc. to EN ISO 228, see table

ART.NO.	VOL [l]	Ø d [mm]	Ø D [mm]	L [mm]	G FLUID	WEIGHT [kg]
250 bar / piston Ø 80mm						
HPAC-250-080-0,4-101	0.4	80	90	166	G ¾"	4.7
HPAC-250-080-0,5-101	0.5	80	90	186	G ¾"	4.9
HPAC-250-080-0,75-101	0.75	80	90	236	G ¾"	5.5
HPAC-250-080-001-101	1	80	90	286	G ¾"	6
HPAC-250-080-1,5-101	1.5	80	90	385	G ¾"	7
HPAC-250-080-002-101	2	80	90	485	G ¾"	8.1
HPAC-250-080-003-101	3	80	90	684	G ¾"	10.2
HPAC-250-080-004-101	4	80	90	883	G ¾"	12.2
250 bar / piston Ø 125mm						
HPAC-250-125-004-101	4	125	145	441	G1"	26.1
HPAC-250-125-005-101	5	125	145	522	G1"	28.8
HPAC-250-125-006-101	6	125	145	604	G1"	31.6
HPAC-250-125-008-101	8	125	145	767	G1"	37
HPAC-250-125-010-101	10	125	145	930	G1"	42.5
HPAC-250-125-012-101	12	125	145	1093	G1"	47.9
HPAC-250-125-015-101	15	125	145	1337	G1"	56
HPAC-250-125-020-101	20	125	145	1745	G1"	69.6

Manufacturing tolerances are not taken into account. Subject to modifications.



PISTON ACCUMULATOR HPA

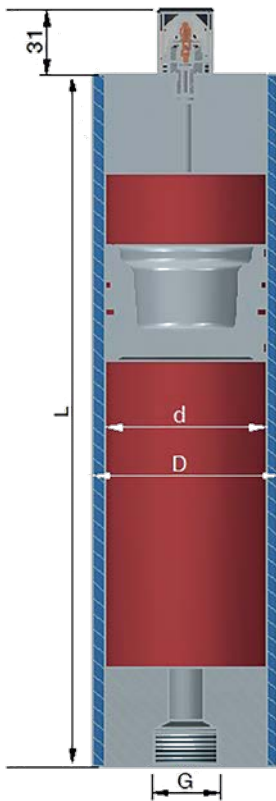
HPAC SERIES, VOL. UP TO 50 L, STANDARD 250 BAR, CARBON STEEL

ART.NO.	VOL [l]	Ø d [mm]	Ø D [mm]	L [mm]	G FLUID	WEIGHT [kg]
250 bar / piston Ø 180mm						
HPAC-250-180-008-101	8	180	200	484	G 1 ½"	59.2
HPAC-250-180-010-101	10	180	200	563	G 1 ½"	63
HPAC-250-180-012-101	12	180	200	641	G 1 ½"	66.6
HPAC-250-180-015-101	15	180	200	759	G 1 ½"	72.1
HPAC-250-180-020-101	20	180	200	956	G 1 ½"	81.4
HPAC-250-180-025-101	25	180	200	1152	G 1 ½"	90.6
HPAC-250-180-030-101	30	180	200	1380	G 1 ½"	99.8
HPAC-250-180-035-101	35	180	200	1576	G 1 ½"	109
HPAC-250-180-040-101	40	180	200	1773	G 1 ½"	118.2
250 bar / piston Ø 200mm						
HPAC-250-200-010-101	10	200	230	529	G 1 ½"	89
HPAC-250-200-015-101	15	200	230	688	G 1 ½"	101.5
HPAC-250-200-020-101	20	200	230	847	G 1 ½"	114
HPAC-250-200-025-101	25	200	230	1007	G 1 ½"	126.5
HPAC-250-200-030-101	30	200	230	1166	G 1 ½"	139
HPAC-250-200-035-101	35	200	230	1325	G 1 ½"	151.5
HPAC-250-200-040-101	40	200	230	1484	G 1 ½"	164
HPAC-250-200-045-101	45	200	230	1644	G 1 ½"	176.5
HPAC-250-200-050-101	50	200	230	1803	G 1 ½"	190

Manufacturing tolerances are not taken into account. Subject to modifications.

PISTON ACCUMULATOR HPA

HPAC SERIES, VOL. UP TO 50 L, STANDARD 350 BAR, CARBON STEEL



TECHNICAL DATA

PISTON DIAMETER

50 / 80 / 100 / 125 / 140 / 150 / 160 / 180 / 200 mm

VOLUME

0.1–50 litres

APPROVAL

DGRL 2014/68/EU

MAX. PERMISSIBLE PRESSURE (PS)

350 bar

PERMISSIBLE TEMPERATURES (TS)

-25°C ... +100°C

COATING

Black PU paint (RAL9017), corrosion protection C3h - ISO 12944-2

Other versions on request

MATERIALS

Body and components made of carbon steel

GAS VALVE

Standard valve HGV M16x2, others possible on request.

Safety valves and/or blocks according to PED on request

CONNECTIONS

BSP acc. to EN ISO 228, see table

ART.NO.	VOL [l]	Ø d [mm]	Ø D [mm]	L [mm]	G FLUID	WEIGHT [kg]
350 bar / piston Ø 50mm						
HPAC-350-050-0,1-101	0.1	50	60	130	G ¾"	1.9
HPAC-350-050-0,2-101	0.2	50	60	181	G ¾"	2.2
HPAC-350-050-0,3-101	0.3	50	60	232	G ¾"	2.6
HPAC-350-050-0,4-101	0.4	50	60	283	G ¾"	3
HPAC-350-050-0,5-101	0.5	50	60	334	G ¾"	3.3
HPAC-350-050-0,7-101	0.7	50	60	435	G ¾"	4
HPAC-350-050-001-101	1	50	60	588	G ¾"	5
350 bar / piston Ø 80mm						
HPAC-350-080-0,4-101	0.4	80	95	166	G ¾"	5.7
HPAC-350-080-0,5-101	0.5	80	95	186	G ¾"	6
HPAC-350-080-0,75-101	0.75	80	95	236	G ¾"	6.8
HPAC-350-080-001-101	1	80	95	286	G ¾"	7.6
HPAC-350-080-1,5-101	1.5	80	95	385	G ¾"	9.2
HPAC-350-080-002-101	2	80	95	485	G ¾"	10.8
HPAC-350-080-003-101	3	80	95	684	G ¾"	14.1
HPAC-350-080-004-101	4	80	95	883	G ¾"	17.3

Manufacturing tolerances are not taken into account. Subject to modifications.



PISTON ACCUMULATOR HPA

HPAC SERIES, VOL. UP TO 50 L, STANDARD 350 BAR, CARBON STEEL

ART.NO.	VOL [l]	Ø d [mm]	Ø D [mm]	L [mm]	G FLUID	WEIGHT [kg]
350 bar / piston Ø 100mm						
HPAC-350-100-002-101	2	100	115	381	G1"	14.8
HPAC-350-100-003-101	3	100	115	509	G1"	17.4
HPAC-350-100-004-101	4	100	115	636	G1"	19.9
HPAC-350-100-006-101	6	100	115	891	G1"	24.9
HPAC-350-100-008-101	8	100	115	1146	G1"	30
HPAC-350-100-010-101	10	100	115	1400	G1"	35.1
350 bar / piston Ø 125mm						
HPAC-350-125-004-101	4	125	145	457	G1"	28.2
HPAC-350-125-005-101	5	125	145	538	G1"	30.9
HPAC-350-125-006-101	6	125	145	620	G1"	33.7
HPAC-350-125-008-101	8	125	145	783	G1"	39.1
HPAC-350-125-010-101	10	125	145	946	G1"	44.5
HPAC-350-125-012-101	12	125	145	1109	G1"	49.9
HPAC-350-125-015-101	15	125	145	1353	G1"	58.1
HPAC-350-125-020-101	20	125	145	1761	G1"	71.7
350 bar / piston Ø 140mm						
HPAC-350-140-004-101	4	140	160	418	G 1 ½"	33.3
HPAC-350-140-005-101	5	140	160	483	G 1 ½"	35.7
HPAC-350-140-006-101	6	140	160	548	G 1 ½"	38.1
HPAC-350-140-010-101	10	140	160	808	G 1 ½"	47.7
HPAC-350-140-012-101	12	140	160	938	G 1 ½"	52.5
HPAC-350-140-015-101	15	140	160	1133	G 1 ½"	59.7
HPAC-350-140-020-101	20	140	160	1458	G 1 ½"	71.7
HPAC-350-140-025-101	25	140	160	1783	G 1 ½"	83.7
350 bar / piston Ø 150mm						
HPAC-350-150-005-101	5	150	170	445	G 1 ½"	39
HPAC-350-150-006-101	6	150	170	502	G 1 ½"	41.3
HPAC-350-150-010-101	10	150	170	728	G 1 ½"	50.2
HPAC-350-150-012-101	12	150	170	841	G 1 ½"	54.6
HPAC-350-150-015-101	15	150	170	1011	G 1 ½"	61.3
HPAC-350-150-020-101	20	150	170	1294	G 1 ½"	72.5
HPAC-350-150-025-101	25	150	170	1577	G 1 ½"	83.6
HPAC-350-150-030-101	30	150	170	1860	G 1 ½"	92.5
350 bar / piston Ø 160mm						
HPAC-350-160-006-101	6	160	180	490	G 1 ½"	48.9
HPAC-350-160-008-101	8	160	180	589	G 1 ½"	53.1
HPAC-350-160-010-101	10	160	180	689	G 1 ½"	57.3
HPAC-350-160-015-101	15	160	180	937	G 1 ½"	67.6

Manufacturing tolerances are not taken into account. Subject to modifications.



PISTON ACCUMULATOR HPA

HPAC SERIES, VOL. UP TO 50 L, STANDARD 350 BAR, CARBON STEEL

ART.NO.	VOL [l]	Ø d [mm]	Ø D [mm]	L [mm]	G FLUID	WEIGHT [kg]
350 bar / piston Ø 160mm						
HPAC-350-160-020-101	20	160	180	1186	G 1 ½"	78.1
HPAC-350-160-025-101	25	160	180	1435	G 1 ½"	88.5
HPAC-350-160-030-101	30	160	180	1684	G 1 ½"	99
350 bar / piston Ø 180mm						
HPAC-350-180-008-101	8	180	205	496	G 1 ½"	68.3
HPAC-350-180-010-101	10	180	205	574	G 1 ½"	73
HPAC-350-180-012-101	12	180	205	653	G 1 ½"	77.6
HPAC-350-180-015-101	15	180	205	771	G 1 ½"	84.6
HPAC-350-180-020-101	20	180	205	1005	G 1 ½"	96.3
HPAC-350-180-025-101	25	180	205	1164	G 1 ½"	107.9
HPAC-350-180-030-101	30	180	205	1361	G 1 ½"	119.6
HPAC-350-180-035-101	35	180	205	1557	G 1 ½"	131.3
HPAC-350-180-040-101	40	180	205	1754	G 1 ½"	143
350 bar / piston Ø 200mm						
HPAC-350-200-010-101	10	200	230	529	G 1 ½"	89
HPAC-350-200-015-101	15	200	230	688	G 1 ½"	101.5
HPAC-350-200-020-101	20	200	230	847	G 1 ½"	114
HPAC-350-200-025-101	25	200	230	1007	G 1 ½"	126.5
HPAC-350-200-030-101	30	200	230	1166	G 1 ½"	139
HPAC-350-200-035-101	35	200	230	1325	G 1 ½"	151.5
HPAC-350-200-040-101	40	200	230	1484	G 1 ½"	164
HPAC-350-200-045-101	45	200	230	1644	G 1 ½"	176.5
HPAC-350-200-050-101	50	200	230	1803	G 1 ½"	190

Manufacturing tolerances are not taken into account. Subject to modifications.

PISTON ACCUMULATOR HPA

CHARGING AND TEST BLOCK HFTB NG 16 - 01

TECHNICAL DATA

MAX. PERMISSIBLE PRESSURE (PS)
400 bar

NOMINAL SIZE
16

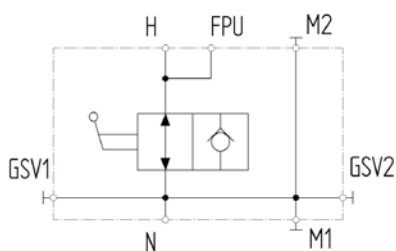
MATERIALS
Steel

PERMISSIBLE TEMPERATURES (TS)
-10°C to 80°C

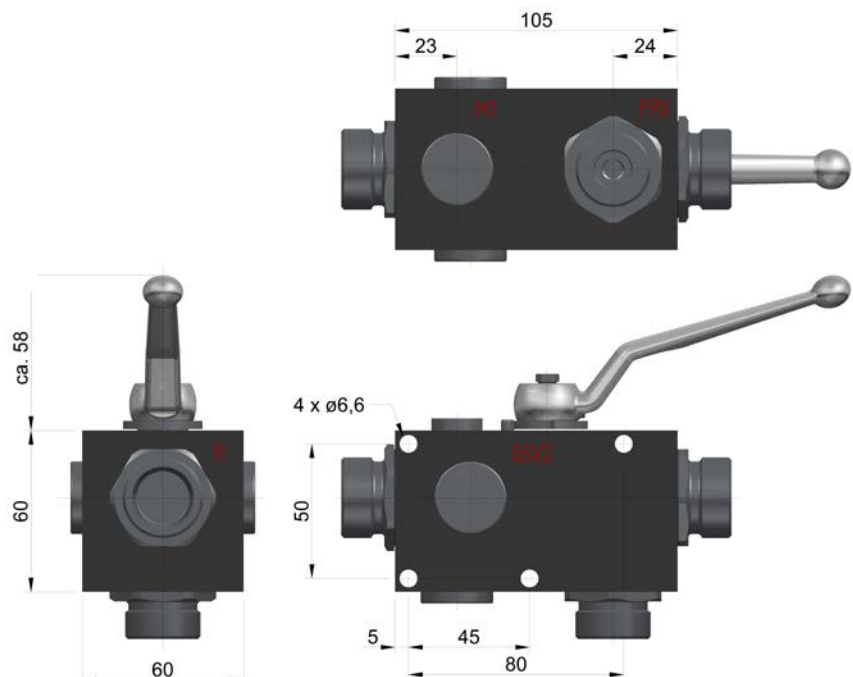
WEIGHT
3 kg



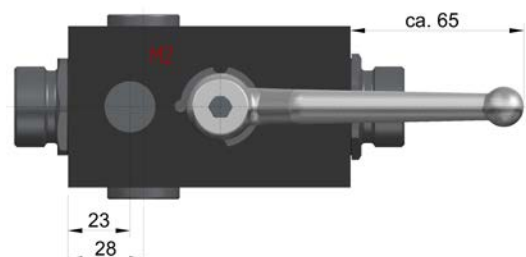
The filling and test block is the ideal accessory for mounting between the hydraulic accumulator and downstream nitrogen cylinders. The charging connector enables to apply any commercially available testing and charging devices. The other ports allow the connection of a gas safety valve and are measurement devices. The integrated ball valve enables the gas bottles to be isolated. The non-return valve function enables the gas volume to be pumped into the downstream circuit via the nitrogen supply pressure.



The port M1 and M2 can be used for a gauge or pressure sensor.



- > M1 = measuring connection 1 G ½" ISO 228
- > M2 = measuring connection 2 G ¼" ISO 228
- > GSV1 = gas safety valve 1 G ½" ISO 228
- > GSV2 = gas safety valve 2 G ½" ISO 228
- > H = hydraulic accumulator M30x2 DIN 2353 20S
- > N = nitrogen cylinders M30x2 DIN 2353 20S
- > FPU = filling and testing kit HFP M28x1.5





PISTON ACCUMULATOR HPA ACCESSORIES

SAFETY AND SHUT-OFF BLOCK HSB
AND CONNECTION ADAPTERS HAS



MOUNTING MATERIAL: CLAMPS HCLP,
BRACKETS HBBZ AND
MOUNTING SET HBBZ-BS



CHARGING AND TEST BLOCK
HFTP



PRESSURE BOTTLE HDF



FILLING AND TESTING KIT HFP

